

MaxLite®

A NEW WAVE OF LIGHT



MPULSE OUTDOOR LIGHTING SOLUTIONS
NOVEMBER 29, 2018

M**P**ulse™
BY **M**axLite®

AGENDA:

- Family Overview
- Visual Comfort
- MPulse Area Luminaires
- MPulse Wall Mount
- MPulse Canopy
- MPulse Flood
- MPulse High Output Flood (Coming Q2 2019)
- MPulse Bollard (Coming Q1 2019)
- Resources

MaxLite® Webinars
A NEW WAVE OF LIGHT

MaxLite Presents: **MPulse™**
MPulse
Outdoor
Lighting Solutions

Thursday,
11/29/18 @ 2pm EST



A stunning blend of performance, value and aesthetics, the MPulse LED outdoor lighting collection can be applied as a total site solution for commercial, municipal, retail, education, and hospitality applications. Join us Thurs. November 29 as we review the MPulse product family and learn more.



Click Here To Register Now!

 Add this webinar to your calendar
(If prompted to OPEN or SAVE, choose OPEN)

MPULSE:

MPulse™

MPulse™
Architectural Lighting Solutions



An award-winning range of elegant outdoor luminaires

MaxLite®
A NEW WAVE OF LIGHT



- Comprehensive Architectural Site Design Solution
- DLC Premium for standard offering
- Wide range of wattages and performance choices
- IP66 Standard
- Visual Comfort option on many fixtures
- Competitive price compared to other Architectural Product Lines
- 10KA/V Surge Protection Standard
- 10 Year Warranty Standard

CCTs Available:

4000K

5000K

Finishes Available:

SILVER

BRONZE



VISUAL COMFORT:

MPulse™

- Available in 28W and 55W Wall Mount, Canopy/Garage and Flood fixtures. Standard for Bollard.
- New technology minimizes losses, maintains DLC standard
- No pixilation
- Reduces glare
- Soft Uniform Distribution



MPULSE: A NEW DISTINCTIVE LOOK

MPulse™

AREA



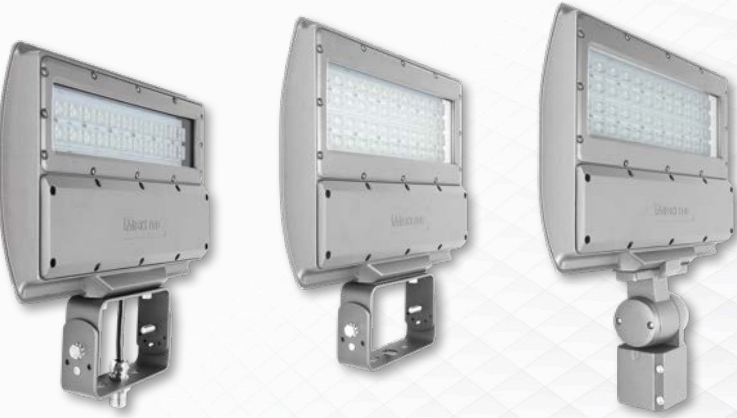
WALL MOUNT



CANOPY



FLOOD



Coming Early 2019



MPULSE AREA:

MPulse™



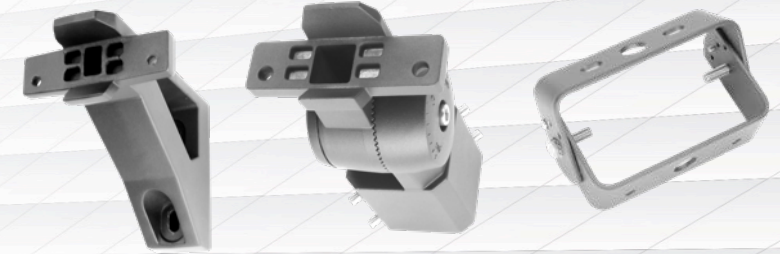
100W



150W/200W



250W/300W



Mountings
Arm, Slip Fitter & Trunnion

Key Features

Lumen Packages: 12,000; 19,500; 25,000; 31,500; 36,500

Wattages: 100W, 150/200W and 250/300W

Optics: Type II, Type III, Type IV and Type V

Mounting: Arm, Slip Fitter and Trunnion

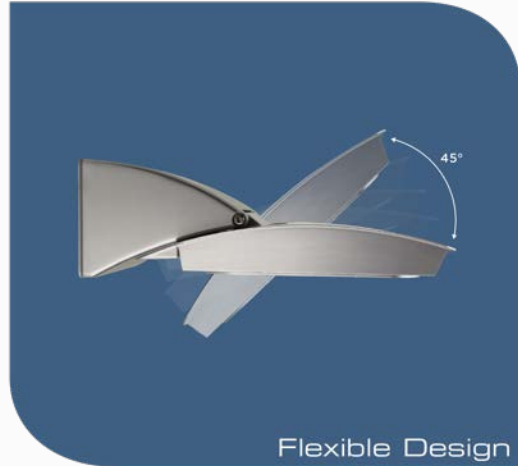
Performance: DLC Premium

Options: Photo Cell, Motion Sensor, Controls and 347/480V

Environment: IP66 rated

MPULSE WALL MOUNT:

MPulse™



Key Features

Lumen Packages: 3,000; 6,000; 11,500

Wattages: 28/55W and 100W (2 sizes)

Optics: Type III, Type IV and Visual Comfort (28/55W); 0/15/30/45 degree tilt adjustability

Options: Photo Cell, Motion Sensor, Controls and 347/480V; Battery Backup coming early 2019

Performance: DLC Premium (Visual Comfort DLC Standard)

Environment: IP66 rated



MPULSE CANOPY/GARAGE:

MPulse™



One Person Installation



Visual Comfort

Key Features

Lumen Packages: 3,950; 6,900

Wattages: 28W and 55W

Optics: Canopy, Parking, Asymmetric and Visual Comfort (VC)

Options: Photo Cell, Motion Sensor, 347/480V and Battery Backup

Performance: DLC Premium (Visual Comfort DLC Standard)

Environment: IP66 rated

MPULSE FLOOD:

MPulse™



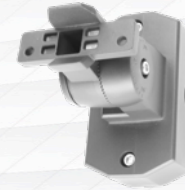
28/55W



100/130W



Visual Comfort



Wall Mount



Visors, Louvers
& Vandal Shield

Key Features

Lumen Packages: 3,200; 6,700; 12,800 and 15,200

Wattages: 28/55W and 100/130W (2 sizes)

Optics: Narrow, Medium, Rectangular, Wide and Visual Comfort (28/55W)

Mounting: Trunnion (28/55W ½" nipple), Slip Fitter and Adjustable Wall Mount (approved for face up applications)

Options: Photo Cell, Motion Sensor, Controls and 347/480V

Performance: DLC Premium (Visual Comfort DLC Standard)

Environment: IP66 rated

MPULSE HIGH OUTPUT FLOOD:

MPulse™



Key Features

Lumen Packages: 26,500 – 85,000

Wattages: 220W, 440W and 660W (3 sizes)

Optics: Narrow, Medium, Rectangular and Wide

Mounting: Trunnion and Slip Fitter

Options: Photo Cell, Controls and 347/480V

Performance: DLC Premium

Environment: IP66 rated

Coming Q2 2019

MPULSE BOLLARD:

MPulse™



Key Features

Lumen Packages: 890-1,600

Wattages: 12W and 28W

Optics: Visual Comfort Standard

Size: 42"

Environment: IP66 rated

Coming Q1 2019

RESOURCES:

MPulse Website

- Dedicated to MPulse range
- Hosts all collateral material



https://youtu.be/tB_FZIF-S5g



<https://youtu.be/LjUI3tmKIE0>

MPulse™ ADJUSTABLE WALL MOUNT LUMINAIRE

Thoughtfully designed for downlighting, the MPulse Wall Mount features an adjustable head that enables its use as an open face or cutoff fixture. It takes just one person to install and service the MPulse Wall Mount luminaire. The back plate mounts to the surface and allows for the wall mount to hang for easy wiring. Once the power supply is connected, the fixture is secured into place with screws. A hinged back cover provides access to the driver for quick and easy replacement in the field.

28W & 55W

100W

PERFORMANCE:

- Available in lumen packages of 3000, 6000, and 11500 lumen
- LEDs have a calculated lumen maintenance value of > 93% (L80) at 100,000 hours calculated at 25°C
- 120-277V dimming standard, 347-480V options available

DESIGN:

- 0-45 degree field adjustable head

OPTICS:

- Available in Type III and Type IV optics
- Visual comfort available in 28W and 55 W

OPTIONS:

- 120-277V External Button Photocell
- 10kV Surge Suppressor
- High/Low/Off PIR feature integrated photo/motion sensor compatible with FSIR-100 remote control

FINISHES:

- Satin bronze finish standard
- Also available in silver finish

CONSTRUCTION:

- Die Cast Aluminum housing
- Tempered Glass 3.2T

MOUNTING:

- Designed to mount to standard 3.5" or 4" J-box
- Uniquely designed for ease of installation by one person

ENVIRONMENT:

- Listed for use in wet locations to UL standards and meet IP66 rating

PHOTOMETRICS:

- All IE5 files available online. Please see page 3-5 for use-footcandle layout.

28 WATTS - DETAILS

WATTAGE	BEAM SPREAD	FOOT-CANDLE	FOOT-CANDLES PER WATT
28W	22"	12,845	459
55W	22"	25,690	467

55 WATTS - DETAILS

WATTAGE	BEAM SPREAD	FOOT-CANDLE	FOOT-CANDLES PER WATT
55W	22"	25,690	467
100W	22"	51,380	513

100 WATTS - DETAILS

WATTAGE	BEAM SPREAD	FOOT-CANDLE	FOOT-CANDLES PER WATT
100W	22"	51,380	513
100W	30"	22,900	229

MPulse™

MPulse™ Architectural Outdoor Fixtures

MaxLite introduces a new wave in outdoor lighting with MPulse, a full solution family that blends high-performance optics with elegant aesthetics.

Uniquely optimized for LED technology, the collection includes Wall Mount, Area, Flood, Canopy and Bollard luminaires that deliver energy cost savings and design continuity across a broad range of outdoor applications.

FLOOD LIGHT

High Performance

With an IP66 rating and high efficacy of 130 lumens per watt, the MPulse delivers significant energy savings while remaining durable in the field.

Versatility

Wide range of optics and easy-to-mount features address a variety of outdoor lighting applications.

Visual Comfort

Optional visual comfort optics distribute light through a non-polarized light source to create uniform illumination with minimal glare.

PERFORMANCE

- Available in 5 wattages (28/55/100/130) and 3,000lm to 16,000lm
- Calculated lumen maintenance value of > 90% (L80) at 100,000 hours calculated at 25°C
- 120-277V dimming standard, 347-480V options available
- 10kV surge suppression standard

FINISHES

- Satin bronze finish standard
- Also available in silver
- Additional colors available for custom orders

CONSTRUCTION

- Die Cast Aluminum housing
- Tempered Glass 3.2T

MOUNTING

- Trunion swivel (1/2" threaded nipple 28/55W only)
- 2-3/8" slip/fitter knuckle options available

ENVIRONMENT

- Listed for use in wet locations to UL standards and IP66 rated

PHOTOMETRICS

- Listed for use in wet locations to UL standards and IP66 rated

WARRANTY

WATTAGE	LUMENS	EQUIVALENT	BEAM SPREAD	CCT	VOLTS	FINISH	OPTIONS
28W	3,000	100W MH	22"	4000K	120-277V	Satin Bronze	Photo/Motion Sensor
55W	6,000	100W MH	22"	5000K	120-277V	Silver	5-Pin Photocell
100W	12,845	250W MH	25"	5000K	120-277V	Custom Color	7-Pin Photocell
130W	16,000	400W MH	30"	5000K	120-277V	Custom Color	7-Pin Photocell

West Coast Facility
1148 Ocean Circle, Anaheim, CA 92806
T: 1-800-795-1312 F: 714-878-5098

East Coast Facility (headquarters)
12 York Ave., West Caldwell, NJ 07090
T: 1-800-355-9629 F: 973-244-7323

Central Facility
998 Derott Court, Greenwood, IN 46143

MAXLITE UNIVERSITY

The MaxLite University Lighting Degree program offers three comprehensive courses in lighting fundamentals, ranging from beginner to advanced learning. It's free and eligible for the following continuing education units from the American Lighting Association:

- **Lighting Fundamentals - ALA: 4 CLC Credit Hours**
- **Lighting Fundamentals (Intermediate) - ALA: 2 CLC Credit Hours**
- **Lighting Fundamentals (Advanced) – ALA: 3 CLC Credit Hours**

Welcome to
MaxLite
UNIVERSITY
for Lighting
and Technology

[Click Here To Get Started](#)

The department function is to train and provide product training material for all MaxLite representatives, customers and employees. The goal of the department is to educate the staff and rep network to a full and complete understanding of our products, technologies, marketplace, and business environments. We endeavor to educate how and why lighting functions, repair and replacement, as well as compare to competitors or listing requirements. We will accomplish this by providing the tools and services proactively and as needed to supplement.

STAY UPDATED – SUBSCRIBE!

Stay updated and subscribe to:

- MaxLite Minute Newsletter
- Product Announcements
- Press Releases
- Webinars

Click the “Subscribe To MaxLite” Button at the bottom of MaxLite’s website or visit:

<http://www.maxlite.com/subscribe>



THANKS FOR ATTENDING!

QUESTIONS/ANSWERS

Thank you everyone for your attention! Please feel free to use this opportunity to ask any questions you may have about MaxLite or the products shown in this presentation.

FOR MORE INFORMATION ABOUT OTHER MAXLITE PRODUCTS, OR FOR LIGHTING QUESTIONS IN GENERAL; PLEASE CONTACT:

info@maxlite.com

<http://www.maxlite.com>

1-800-555-5629